

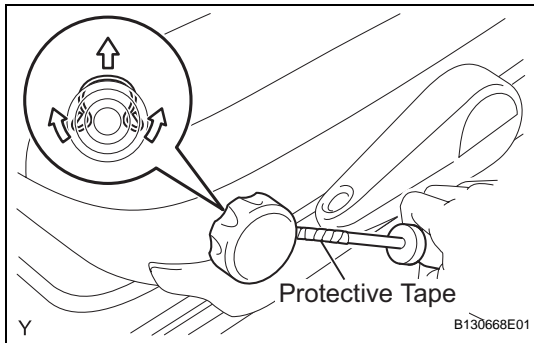
DISASSEMBLY

CAUTION:

Wear protective gloves. Sharp surfaces on the front seat adjuster could cause injuries to your hands.

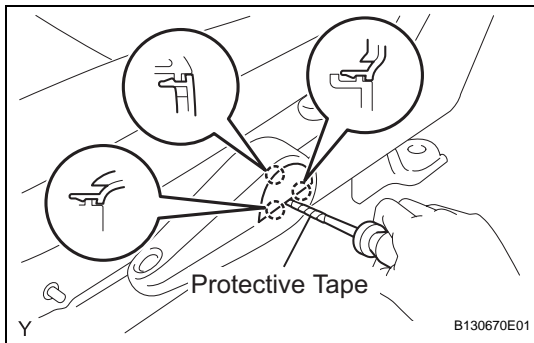
HINT:

The procedure described below is for the driver side. Use the same procedure for both the driver and front passenger sides, unless otherwise specified.



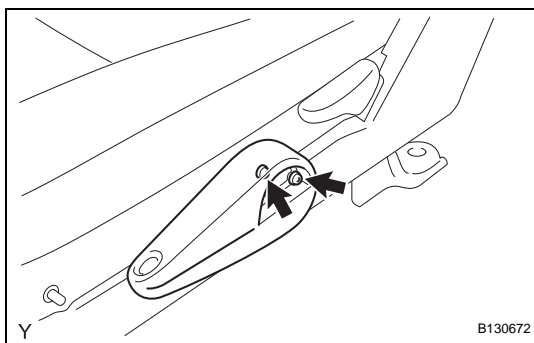
1. REMOVE VERTICAL SEAT ADJUSTER KNOB (for Driver Side)

- (a) Using a screwdriver with its tip wrapped in protective tape, disengage the snap ring and remove the vertical seat adjuster knob.



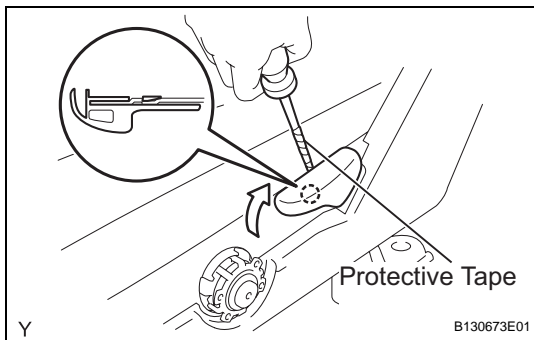
2. REMOVE VERTICAL SEAT ADJUSTER HANDLE COVER (for Driver Side)

- (a) Using a screwdriver with its tip wrapped in protective tape, disengage the 3 claws and remove the vertical seat adjuster handle cover.



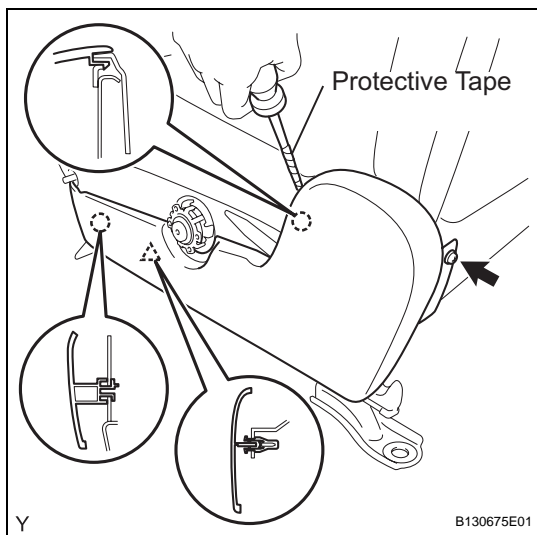
3. REMOVE VERTICAL SEAT ADJUSTER HANDLE (for Driver Side)

- (a) Remove the 2 screws and the vertical seat adjuster handle.

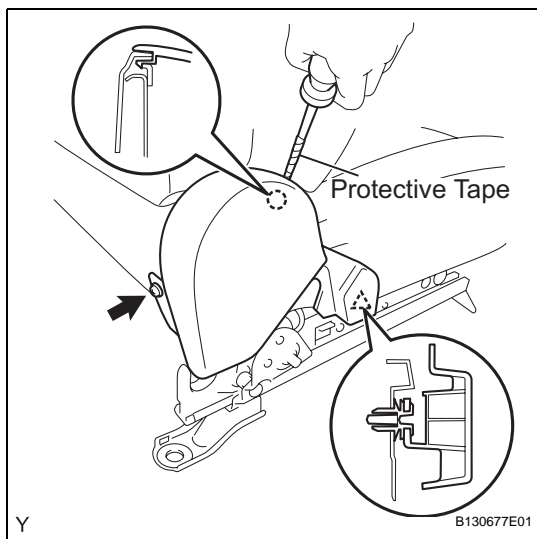


4. REMOVE RECLINING ADJUSTER RELEASE HANDLE

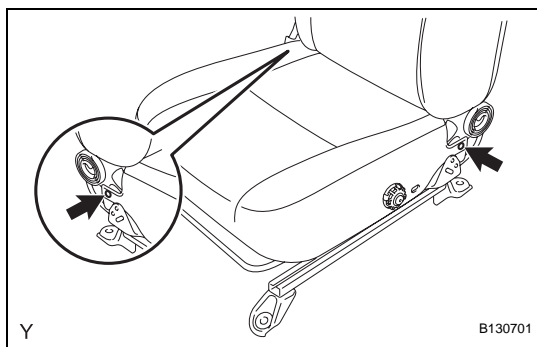
- (a) Using a screwdriver with its tip wrapped in protective tape, disengage the claw and remove the reclining adjuster release handle.



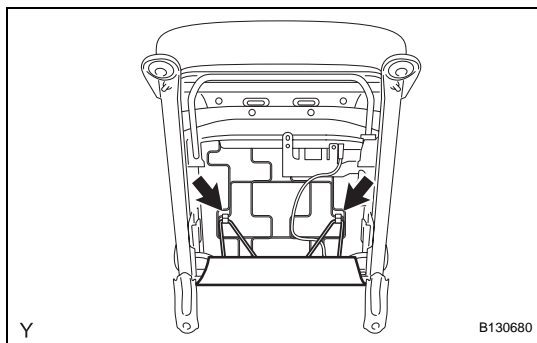
5. **REMOVE FRONT SEAT CUSHION OUTER SHIELD**
 - (a) Remove the screw.
 - (b) Using a screwdriver with its tip wrapped in protective tape, disengage the 2 claws and the clip and remove the front seat cushion outer shield.
6. **REMOVE FRONT SEAT INNER BELT ASSEMBLY**
(See page [SB-31](#))



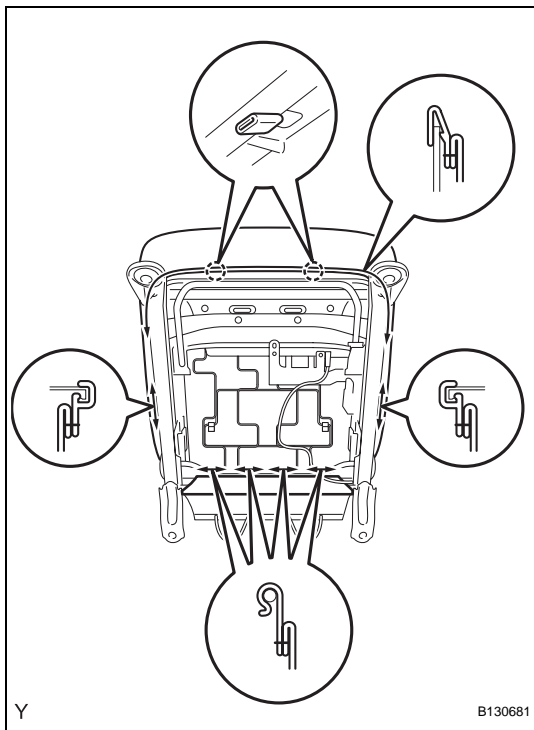
7. **REMOVE FRONT SEAT CUSHION INNER SHIELD**
 - (a) Remove the screw.
 - (b) Using a screwdriver with its tip wrapped in protective tape, disengage the claw and the clip and remove the front seat cushion inner shield.



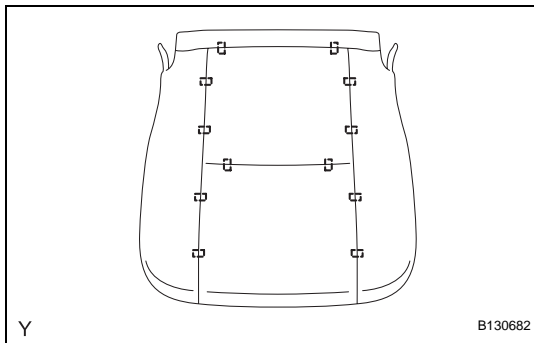
8. **REMOVE FRONT SEAT CUSHION ASSEMBLY**
 - (a) Using a clip remover, remove the 2 clips.



- (b) Remove the 2 front seatback cover bands.

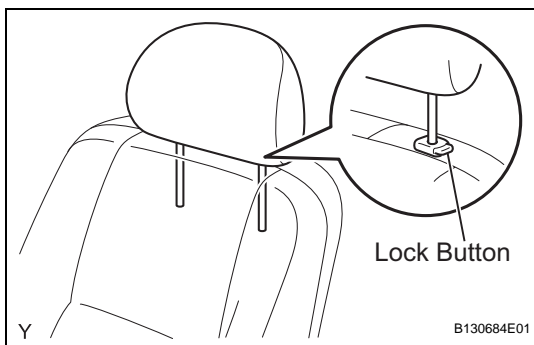


- (c) Disengage the 2 claws and the 7 hooks and remove the front seat cushion.



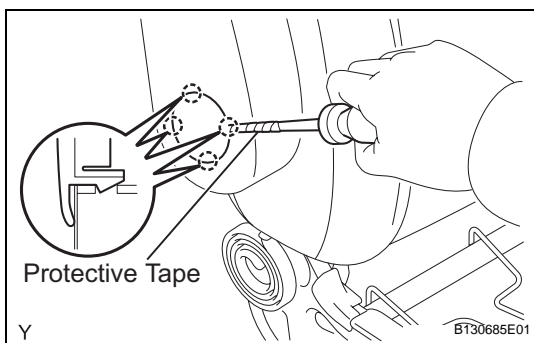
9. REMOVE FRONT SEAT CUSHION COVER

- (a) Remove the 12 hog rings and the front seat cushion cover.



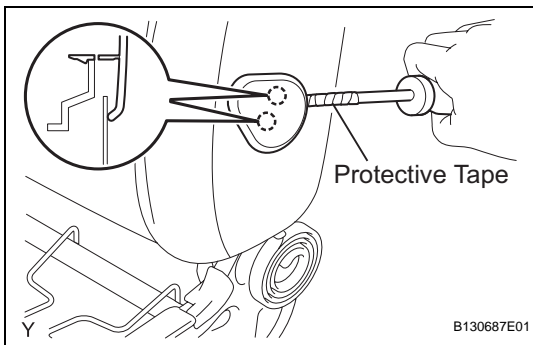
10. REMOVE FRONT SEAT HEADREST ASSEMBLY

- (a) Push in the lock button of the front seat headrest support and remove the front seat headrest.



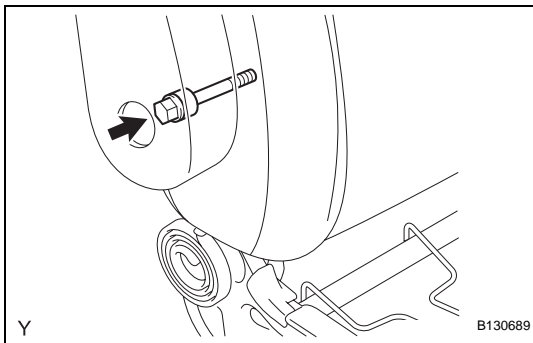
11. REMOVE FRONT SEAT ARMREST CAP (for Driver Side)

- (a) Using a screwdriver with its tip wrapped in protective tape, disengage the 4 claws and remove the front seat armrest cap.



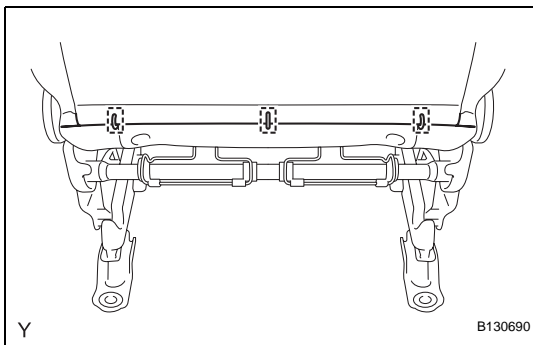
12. REMOVE FRONT SEAT ARMREST COVER (for Front Passenger Side)

- (a) Using a screwdriver with its tip wrapped in protective tape, disengage the 2 claws and remove the front seat armrest cover.



13. REMOVE FRONT SEAT ARMREST ASSEMBLY (for Driver Side)

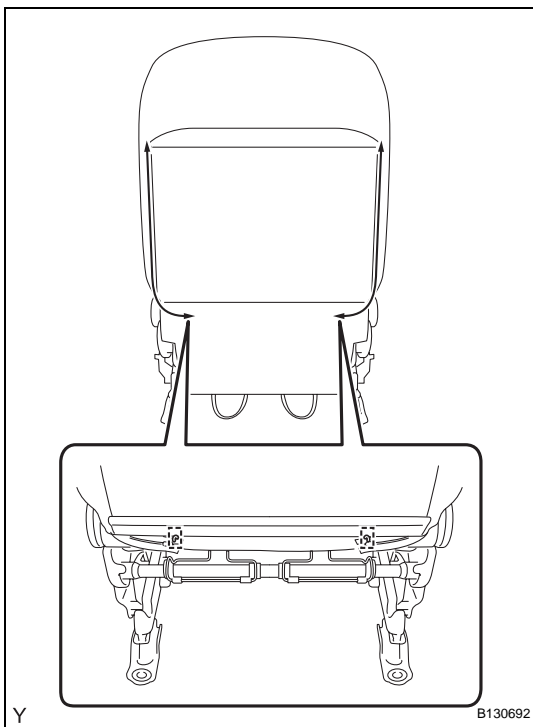
- (a) Remove the bolt, the bush and the front seat armrest.

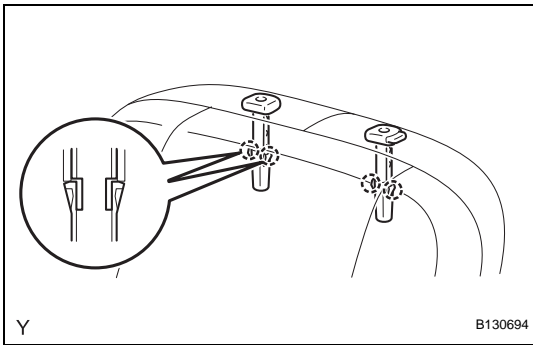


14. REMOVE FRONT SEAT HEADREST SUPPORT

- (a) Remove the 3 hog rings.

- (b) Remove the 2 hog rings.
- (c) Unfasten the 2 zippers.



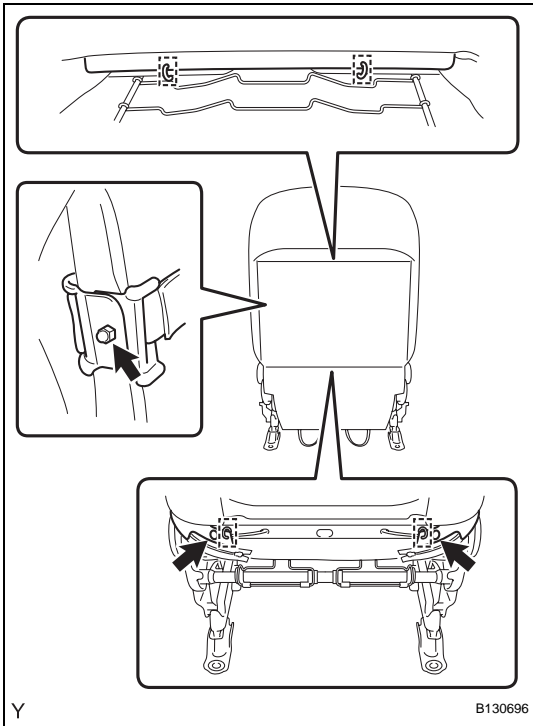


- (d) Disengage the 2 claws and remove the front seat headrest support.

HINT:

Use the same procedure for both sides.

15. REMOVE FRONT SEATBACK ASSEMBLY



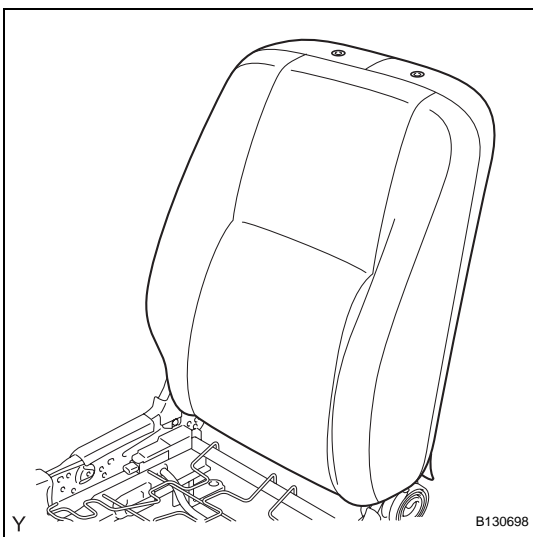
- (a) Using a clip remover, remove the 2 clips.

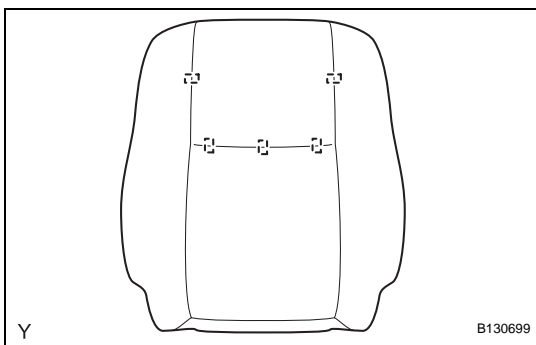
- (b) Remove the 4 hog rings.

- (c) w/ Front Seat Side Airbag:

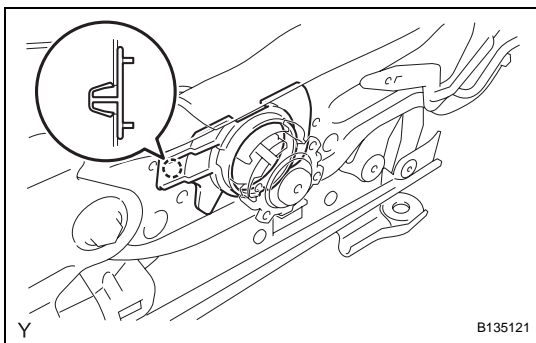
- (1) Remove the nut.

- (d) Remove the front seatback.

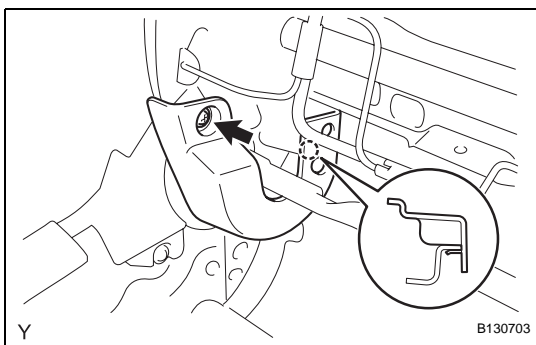


**16. REMOVE FRONT SEATBACK COVER**

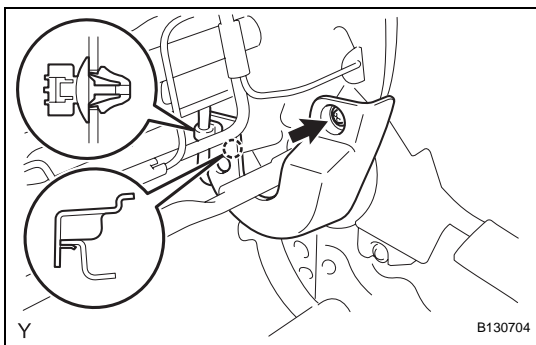
- (a) Remove the 5 hog rings and the front seatback cover.

**17. REMOVE VERTICAL SEAT ADJUSTER BUSH (for Driver Side)**

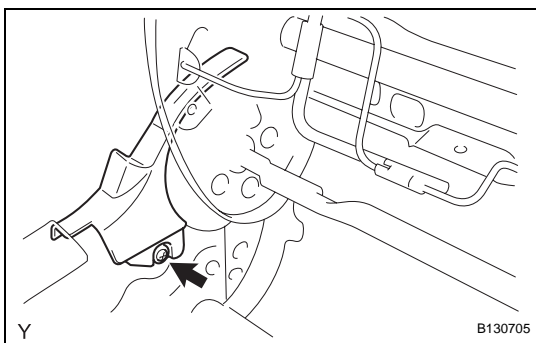
- (a) Disengage the claw and remove the vertical seat adjuster bush.

**18. REMOVE RECLINING ADJUSTER INSIDE COVER RH**

- (a) Remove the screw.
 (b) Disengage the claw and remove the reclining adjuster inside cover.

**19. REMOVE RECLINING ADJUSTER INSIDE COVER LH**

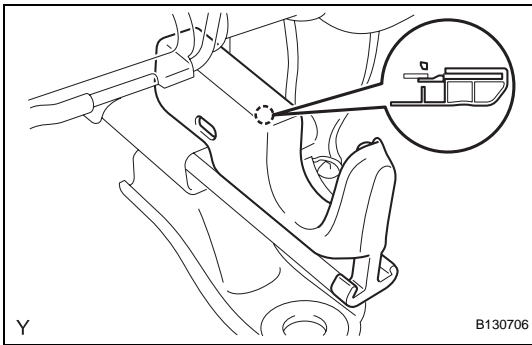
- (a) Remove the screw.
 (b) w/ Front Seat Side Airbag:
 (1) Using a clip remover, remove the clamp.
 (c) Disengage the claw and remove the reclining adjuster inside cover.

**20. REMOVE RECLINING ADJUSTER OUTSIDE COVER RH**

- (a) Remove the screw and the reclining adjuster outside cover.

21. REMOVE RECLINING ADJUSTER OUTSIDE COVER LH

- HINT:
 Use the same procedure as for the RH side.



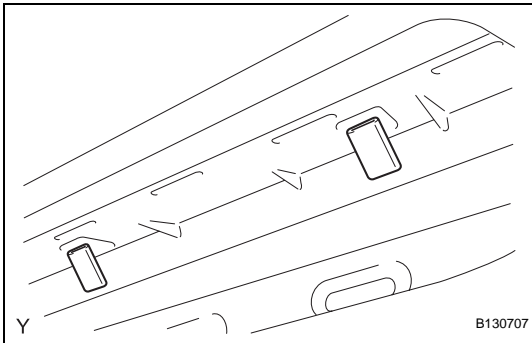
22. REMOVE FRONT SEAT CUSHION LOWER SHIELD RH

- (a) Disengage the claw and remove the front seat cushion lower shield.

23. REMOVE FRONT SEAT CUSHION LOWER SHIELD LH

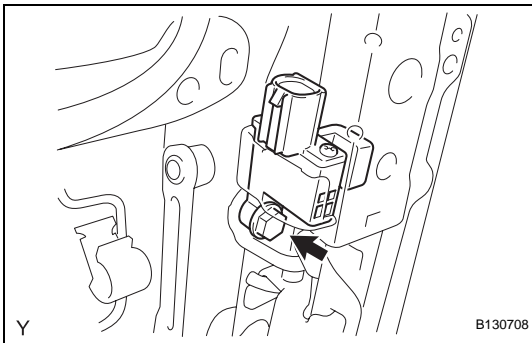
HINT:

- Use the same procedure as for the RH side.



24. REMOVE FRONT SEAT CUSHION EDGE PROTECTOR

- (a) Remove the 2 front seat cushion edge protectors.

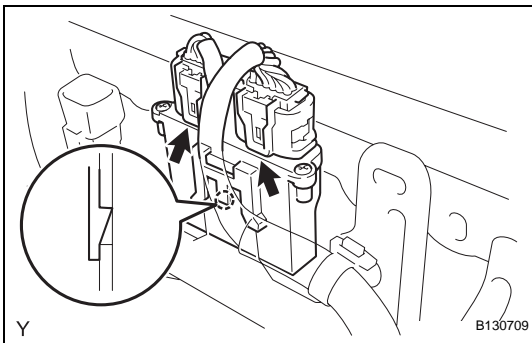


25. REMOVE SEAT POSITION SENSOR (for Driver Side)

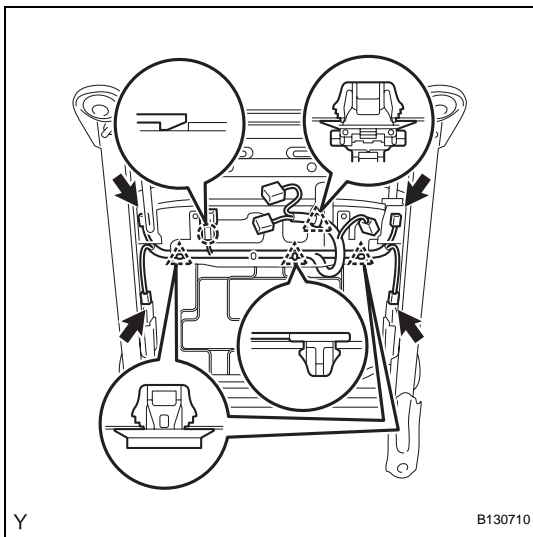
- (a) Remove the bolt and the seat position sensor.

26. REMOVE OCCUPANT CLASSIFICATION ECU (for Front Passenger Side)

- (a) Disconnect the 2 connectors.



- (b) Using a screwdriver, disengage the claw and remove the occupant classification ECU.

**27. REMOVE FRONT SEAT WIRE (for Front Passenger Side)**

- (a) Disconnect the 4 connectors.
- (b) Disengage the claw and remove the connector.
- (c) Using a clip remover, remove the 4 clamps and the front seat wire.